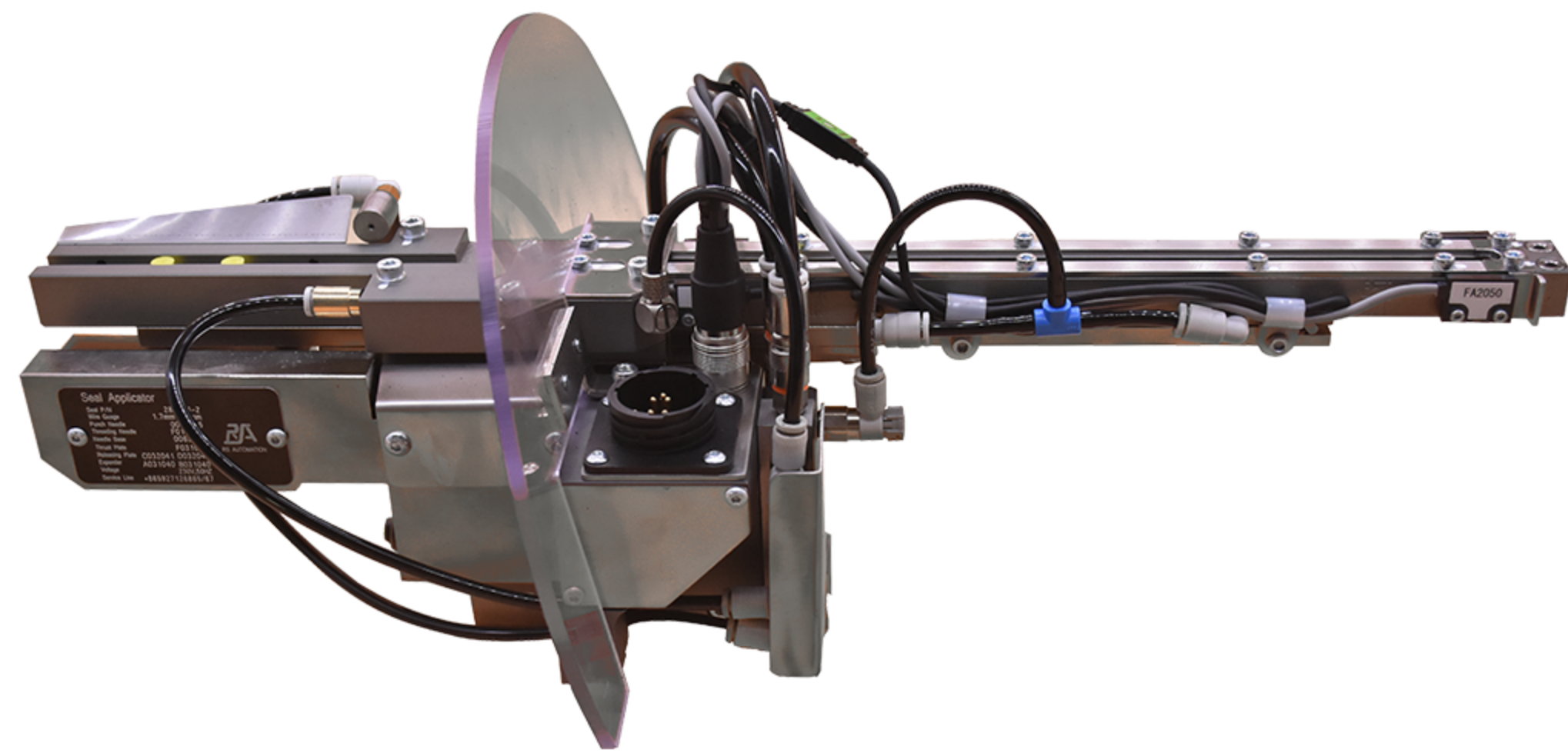


## RS Seal Applicator/Track

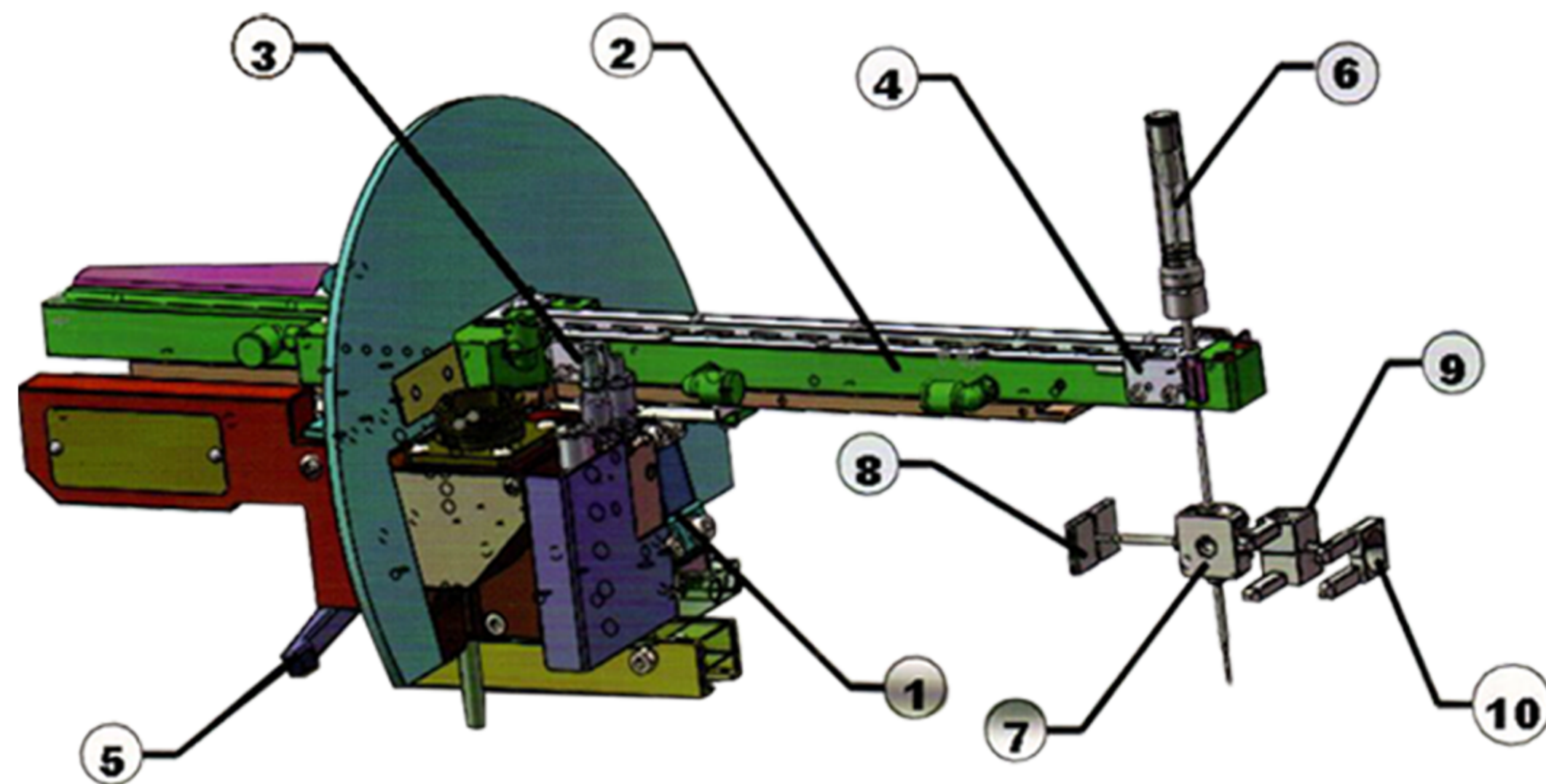
### RSA-SA-300K



### Specification

Part Number	RSA-SA-300K
Serial Number	8-2
Description	Wire seal feeder
Applicable Model	MCI765C, MCI761, MCI762, S1440, S1441.

### Details Description



### Feed Unit

- ①.Linear conveyor  
Generates the vibrations for conveying the seals
- ②.Feed rail  
Feeds,sorts and buffers the seals
- ③.B10 Sensor (S15)  
Detects any blockages in the sorting baffle
- ④.B11 Sensor (S11)  
Ensures that separation goes smoothly
- ⑤.Clamping lever  
Required for changing the feed unit

### Loading Tool

- ⑥.separator
- ⑦.Turnstile
- ⑧.Push plate
- ⑨.Stripper
- ⑩.Expanding sleeve

Consist of an inner and outer arbor  
Holds the seals on 4 arbors  
Used to push on seals from small to large diameter  
Pushes the seal onto the expanding sleeve and knocks it off  
Spreads the seals for loading and forms the wire inlet



### Related Accessories



### Note

- ▶ If the seal has same dimension but different inner hole, then the seal applicator can be common used along with the change of matching loading tools.
- ▶ Sample seal with the quantity of 2000pcs and sample wires are required after the order confirmed.