

Intelligent Digital Microscope RSM-DM-750D



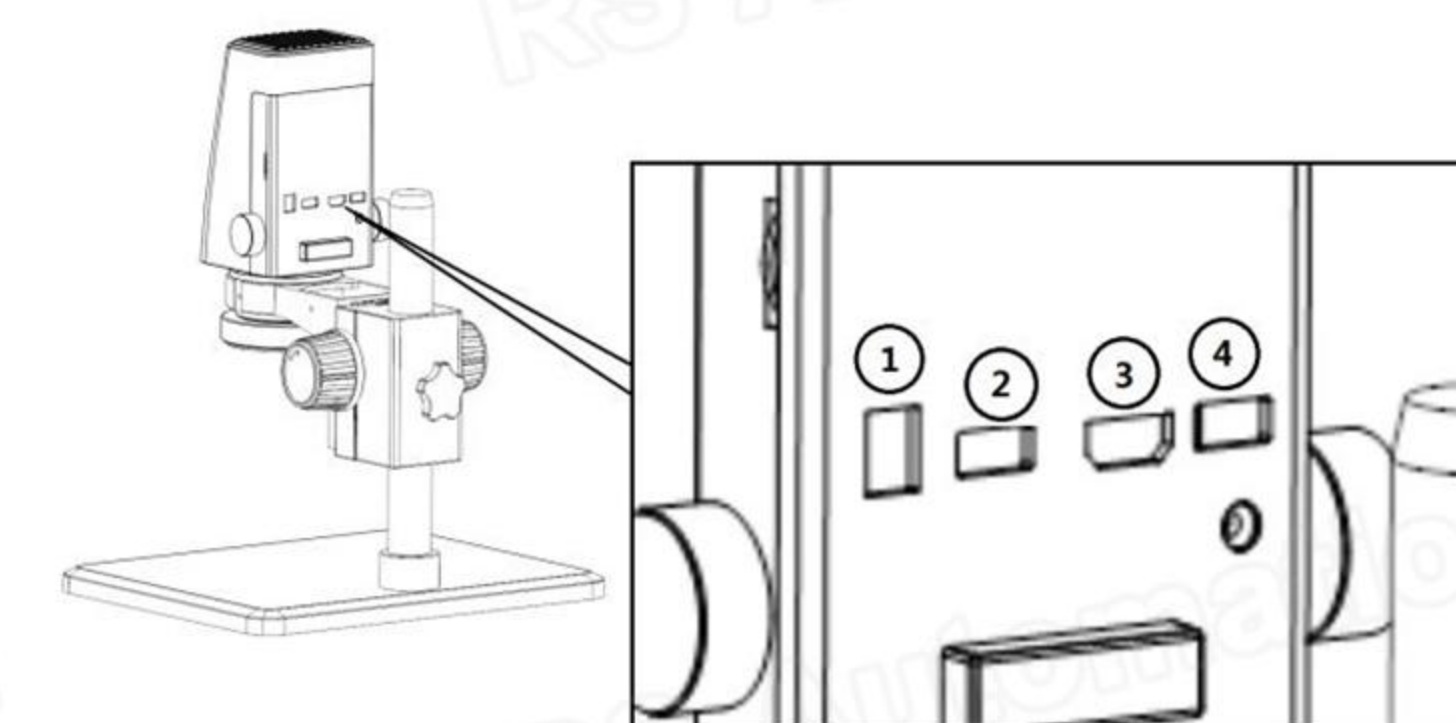
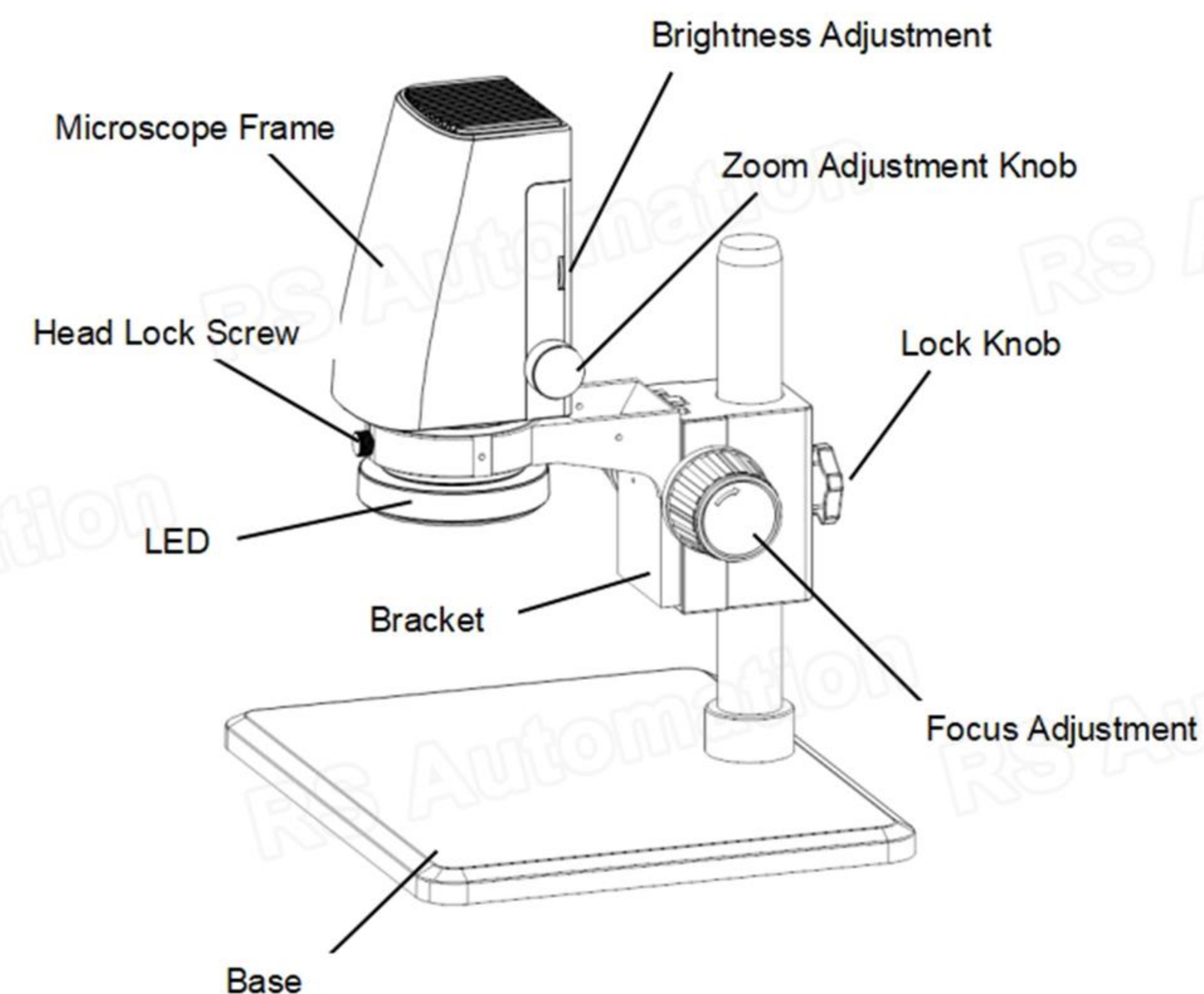
Feature

- ▶ widely applicable. Suitable for mobile phone repair, jewelry soldering and more sophisticated soldering. Also can be used in fields like industry, life sciences, mineralogy, insect barn, botany, crime lab, education, etc.
- ▶ User-friendly. Rotary knobs are fewer but better and the interface is well-organized, which are easy to learn.
- ▶ Clearer optics, high-definition display with resolution of up to 1080P.
- ▶ Powerful software integrated with observation, measurement, storage, photograph and comparison.
- ▶ Intelligent edge finding, which can grasp blurred edges for accurate measurement.

Specification

Model	RSM-DM-750D
Magnification	Standard: 0.7X ~ 5X, continuous zoom
Eyepiece	0.4X (Standard), 1X
Objective Lens	0.7x --- 5x continuous zoom, objective zoom ratio 1:7 (fixed gear zoom)
Stroke	100mm
Focusing Unit	φ 76mm bracket, standard A1
Illumination	LED ring light (various LED ring lights are available)
Camera	1/2 CCD, 2 megapixels, with measurement software
Camera External Interface Type	USB(two), HDMI(one), DC12V input port (one)
Base	B11 column-type large flat base (various types of microscope frame are available)
Accessories	An HDMI HD cable, an adapter, a mouse, and an 11.6-inch screen

Details Description



- ① Power Adapter Interface
- ② USB mouse/USB flash disk Interface
- ③ HDMI(High-Definition Multimedia Interface)
- ④ USB mouse/USB flash disk Interface