



Auto Tape Dispenser (Cycle Cutting)

RT-7700



Feature

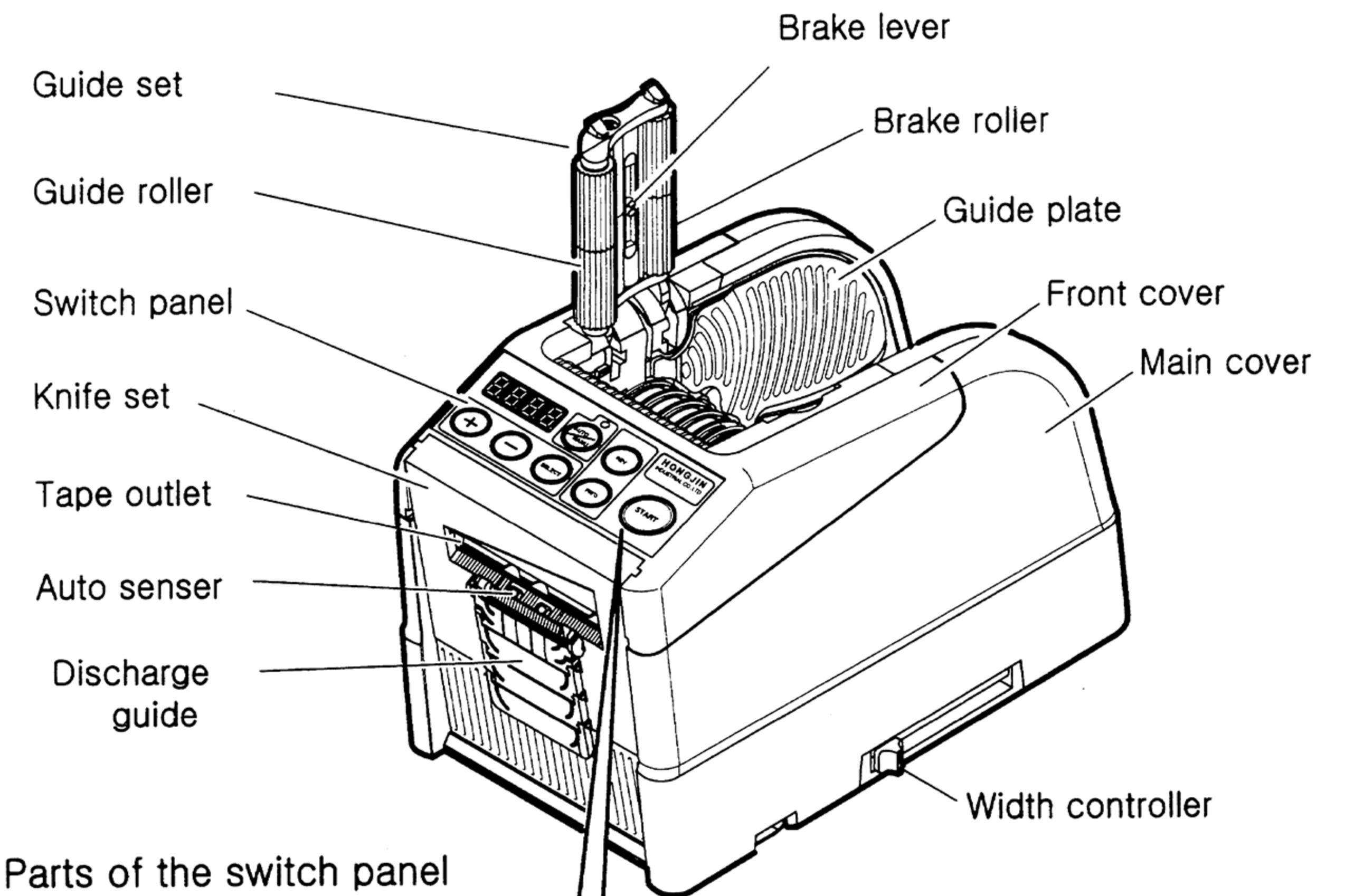
- ▶ RT-7700 is a compact, unique feeding system which is compatible with many kinds of tape, includes minimum size of thin tapes.
- ▶ Cycle cutting function. Up to 6 different cutting lengths (one cycle) can be set. Do not need to change parameters frequently.

Specification

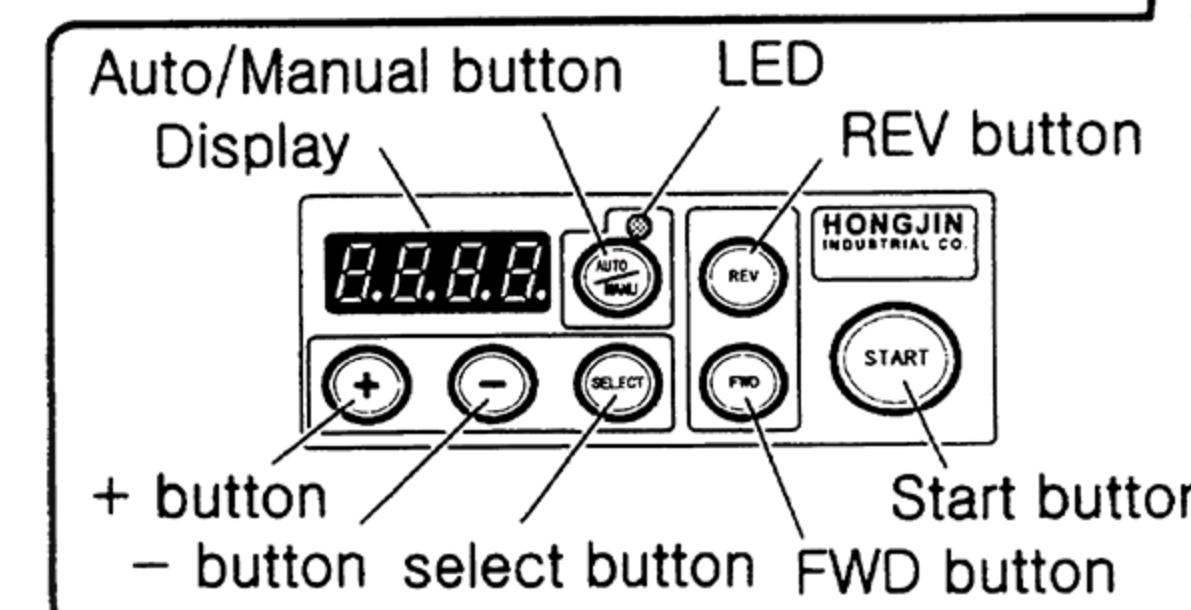
Model	RT-7700
Applicable Tape	Copper Foil Tape, Cloth Tape, High-Temperature Tape, Masking Tape, Clear Tape, Double-Sided Tape, Acetate Tape and other common tapes
Tape Diameter	Φ30-Φ300 (note 1*)
Cutting Width	6-60mm (note 2*)
Cutting Length	5-999mm (note 3*)
Number of Cycle Cutting	Max. 6 different cut lengths to form a cycle)
Speed	200mm/sec
Material	Special ABS resin
Power	25W
Voltage	AC100-240V Free Volt
Input Voltage Range	±5%
Weight	2.3kg
Dimension	W116mm xH140mm xD213mm
Remark	Note 1 to 3 might not be available acc. to the type of tape and use conditions.



Identification of Parts



Parts of the switch panel



Lower part of product

